

NOTE: SIGNAGE COMPANY IS RESPONSIBLE
FOR MEETING ALL ADA REQUIREMENTS

LAMINATE FACE: WILSONART TBD
BACKING: WILSONART LAMINATE BACKING
INCLUDE BRAILLE
TEXT TO BE IN CONTRASTING COLOR-WHITE
FINISHED EDGES

TYPE B (2"H)

MECHANICAL

NOTE: SIGNAGE COMPANY IS RESPONSIBLE FOR MEETING ALL ADA REQUIREMENTS

VINYL LETTERING. HEIGHTS AS SPECIFIED.
APPLIED TO SUBSTRATE AS NOTED ON SCHEDULE.

TYPE B - COLOR: RED

TYPE B.0 - COLOR: TO MATCH BENJAMIN MOORE 2061-20 CHAMPION COBALT

TYPE B.1 - COLOR: TO MATCH BENJAMIN MOORE 2061-20 CHAMPION COBALT

TYPE B.2 - COLOR VARIES, SEE NOTE ABOVE

TYPE B.3 - COLOR: WHITE

TYPE B.4 - COLOR: WHITE

SUBMIT COLORS FOR ALL

TEXT TO BE HELVETICA, ALL CAPS

CONFIRM LOCATION OF VINYL THAT IS TO BE PLACED ON FURNITURE AT TIME OF
INSTALL WITH OWNER

TYPE B.0 (3"H)

COMMUNITY INFO

NOTE: SIGNAGE COMPANY IS RESPONSIBLE FOR MEETING ALL ADA REQUIREMENTS

VINYL LETTERING. HEIGHTS AS SPECIFIED.
APPLIED TO SUBSTRATE AS NOTED ON SCHEDULE.

TYPE B - COLOR: RED

TYPE B.0 - COLOR: TO MATCH BENJAMIN MOORE 2061-20 CHAMPION COBALT

TYPE B.1 - COLOR: TO MATCH BENJAMIN MOORE 2061-20 CHAMPION COBALT

TYPE B.2 - COLOR VARIES, SEE NOTE ABOVE

TYPE B.3 - COLOR: WHITE

TYPE B.4 - COLOR: WHITE

SUBMIT COLORS FOR ALL

TEXT TO BE HELVETICA, ALL CAPS

CONFIRM LOCATION OF VINYL THAT IS TO BE PLACED ON FURNITURE AT TIME OF
INSTALL WITH OWNER

TYPE B.1 (6"H)

SEARCH
WELCOME
ASK

NOTE: SIGNAGE COMPANY IS RESPONSIBLE FOR MEETING ALL ADA REQUIREMENTS

VINYL LETTERING. HEIGHTS AS SPECIFIED.
APPLIED TO SUBSTRATE AS NOTED ON SCHEDULE.

TYPE B - COLOR: RED

TYPE B.0 - COLOR: TO MATCH BENJAMIN MOORE 2061-20 CHAMPION COBALT

TYPE B.1 - COLOR: TO MATCH BENJAMIN MOORE 2061-20 CHAMPION COBALT

TYPE B.2 - COLOR VARIES, SEE NOTE ABOVE

TYPE B.3 - COLOR: WHITE

TYPE B.4 - COLOR: WHITE

SUBMIT COLORS FOR ALL

TEXT TO BE HELVETICA, ALL CAPS

CONFIRM LOCATION OF VINYL THAT IS TO BE PLACED ON FURNITURE AT TIME OF
INSTALL WITH OWNER

TYPE B.2 (18"H)

milwaukee public library

*NOTE: COLOR TO MATCH SHERWIN-WILLIAMS SW 7050
USEFUL GRAY

print. copy. scan. fax.

*NOTE: COLOR TO MATCH BENJAMIN MOORE 2061-20
CHAMPION COBALT

CREATE

*NOTE: COLOR TO MATCH BENJAMIN MOORE 2061-20
CHAMPION COBALT

NOTE: SIGNAGE COMPANY IS RESPONSIBLE FOR MEETING ALL ADA REQUIREMENTS

VINYL LETTERING. HEIGHTS AS SPECIFIED.
APPLIED TO SUBSTRATE AS NOTED ON SCHEDULE.

TYPE B - COLOR: RED

TYPE B.0 - COLOR: TO MATCH BENJAMIN MOORE 2061-20 CHAMPION COBALT

TYPE B.1 - COLOR: TO MATCH BENJAMIN MOORE 2061-20 CHAMPION COBALT

TYPE B.2 - COLOR VARIES, SEE NOTE ABOVE

TYPE B.3 - COLOR: WHITE

TYPE B.4 - COLOR: WHITE

SUBMIT COLORS FOR ALL

TEXT TO BE HELVETICA, ALL CAPS

CONFIRM LOCATION OF VINYL THAT IS TO BE PLACED ON FURNITURE AT TIME OF
INSTALL WITH OWNER

TYPE B.3 (30" H)

1

2

3

NOTE: SIGNAGE COMPANY IS RESPONSIBLE FOR MEETING ALL ADA REQUIREMENTS

VINYL LETTERING. HEIGHTS AS SPECIFIED.
APPLIED TO SUBSTRATE AS NOTED ON SCHEDULE.

TYPE B - COLOR: RED

TYPE B.0 - COLOR: TO MATCH BENJAMIN MOORE 2061-20 CHAMPION COBALT

TYPE B.1 - COLOR: TO MATCH BENJAMIN MOORE 2061-20 CHAMPION COBALT

TYPE B.2 - COLOR VARIES, SEE NOTE ABOVE

TYPE B.3 - COLOR: WHITE

TYPE B.4 - COLOR: WHITE

SUBMIT COLORS FOR ALL

TEXT TO BE HELVETICA, ALL CAPS

CONFIRM LOCATION OF VINYL THAT IS TO BE PLACED ON FURNITURE AT TIME OF
INSTALL WITH OWNER

TYPE B.4 (4"H)

**RECEIVING
DELIVERIES**

NOTE: SIGNAGE COMPANY IS RESPONSIBLE FOR MEETING ALL ADA REQUIREMENTS

VINYL LETTERING. HEIGHTS AS SPECIFIED.
APPLIED TO SUBSTRATE AS NOTED ON SCHEDULE.

TYPE B - COLOR: RED

TYPE B.0 - COLOR: TO MATCH BENJAMIN MOORE 2061-20 CHAMPION COBALT

TYPE B.1 - COLOR: TO MATCH BENJAMIN MOORE 2061-20 CHAMPION COBALT

TYPE B.2 - COLOR VARIES, SEE NOTE ABOVE

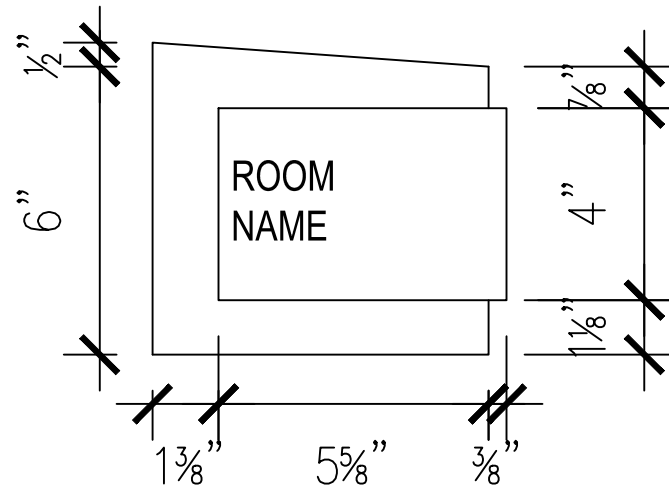
TYPE B.3 - COLOR: WHITE

TYPE B.4 - COLOR: WHITE

SUBMIT COLORS FOR ALL

TEXT TO BE HELVETICA, ALL CAPS

CONFIRM LOCATION OF VINYL THAT IS TO BE PLACED ON FURNITURE AT TIME OF
INSTALL WITH OWNER

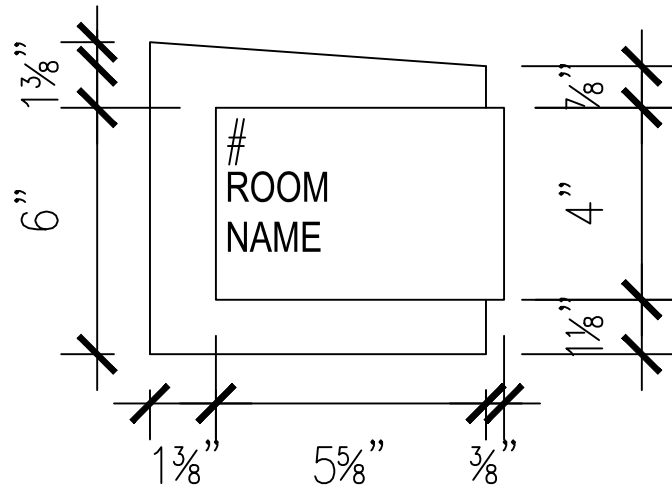


TYPE C

NOTE: SIGNAGE COMPANY IS RESPONSIBLE
FOR MEETING ALL ADA REQUIREMENTS

LAMINATE FACE: LAMINART METAL-ART, 621
CLASSIC BRUSHED ALUMINUM
BACKING: ARBORITE, COLOR: W-459 VL
SUMMER ELM, INSTALL: VERTICALLY

INCLUDE BRAILLE
TEXT TO BE IN CONTRASTING COLOR-BLACK
FINISHED EDGES
TEXT TO BE: HELVETICA AND IN CALL CAPS

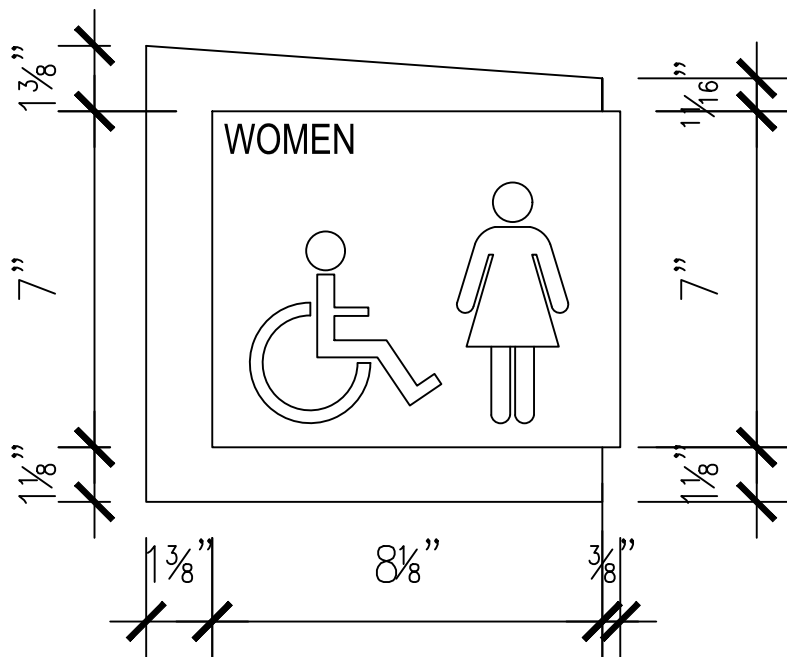


TYPE D

NOTE: SIGNAGE COMPANY IS RESPONSIBLE
FOR MEETING ALL ADA REQUIREMENTS

LAMINATE FACE: LAMINART METAL-ART, 621
CLASSIC BRUSHED ALUMINUM
BACKING: ARBORITE, COLOR: W-459 VL
SUMMER ELM, INSTALL: VERTICALLY

INCLUDE BRAILLE
TEXT TO BE IN CONTRASTING COLOR-BLACK
FINISHED EDGES
TEXT TO BE: HELVETICA AND IN CALL CAPS

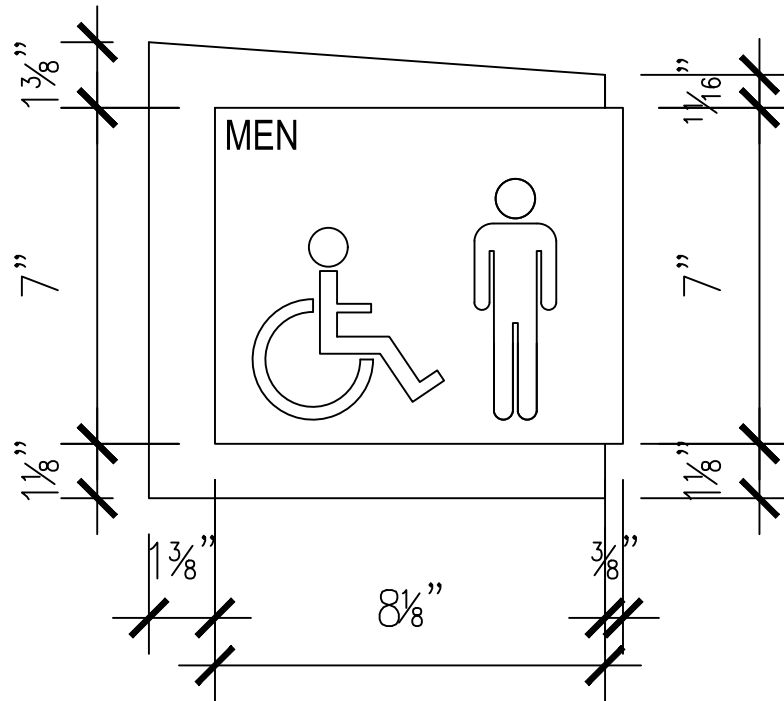


TYPE E

NOTE: SIGNAGE COMPANY IS RESPONSIBLE FOR MEETING ALL ADA REQUIREMENTS

LAMINATE FACE: LAMINART METAL-ART, 621
 CLASSIC BRUSHED ALUMINUM
 BACKING: ARBORITE, COLOR: W-459 VL
 SUMMER ELM, INSTALL: VERTICALLY

INCLUDE BRAILLE
 TEXT TO BE IN CONTRASTING COLOR-BLACK
 FINISHED EDGES
 TEXT TO BE: HELVETICA AND IN CALL CAPS

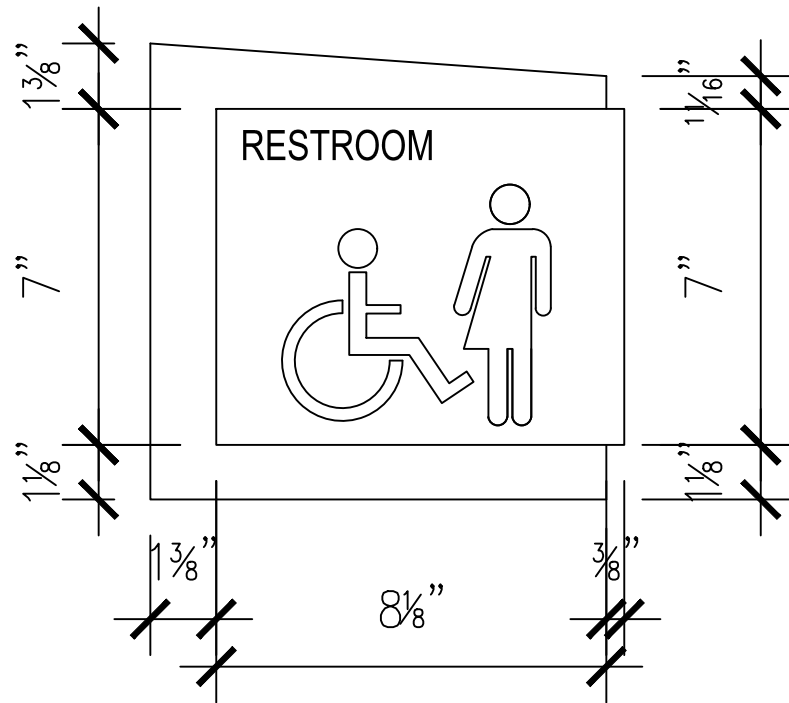


TYPE F

NOTE: SIGNAGE COMPANY IS RESPONSIBLE FOR MEETING ALL ADA REQUIREMENTS

LAMINATE FACE: LAMINART METAL-ART, 621 CLASSIC BRUSHED ALUMINUM
 BACKING: ARBORITE, COLOR: W-459 VL
 SUMMER ELM, INSTALL: VERTICALLY

INCLUDE BRAILLE
 TEXT TO BE IN CONTRASTING COLOR-BLACK
 FINISHED EDGES
 TEXT TO BE: HELVETICA AND IN CALL CAPS

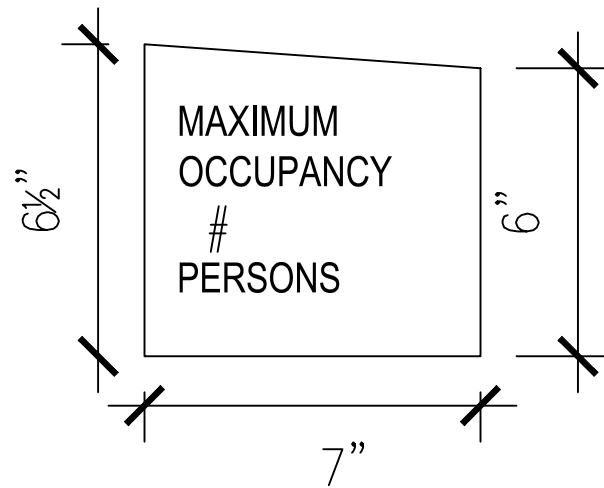


TYPE G

NOTE: SIGNAGE COMPANY IS RESPONSIBLE FOR MEETING ALL ADA REQUIREMENTS

LAMINATE FACE: LAMINART METAL-ART, 621
 CLASSIC BRUSHED ALUMINUM
 BACKING: ARBORITE, COLOR: W-459 VL
 SUMMER ELM, INSTALL: VERTICALLY

INCLUDE BRAILLE
 TEXT TO BE IN CONTRASTING COLOR-BLACK
 FINISHED EDGES
 TEXT TO BE: HELVETICA AND IN CALL CAPS

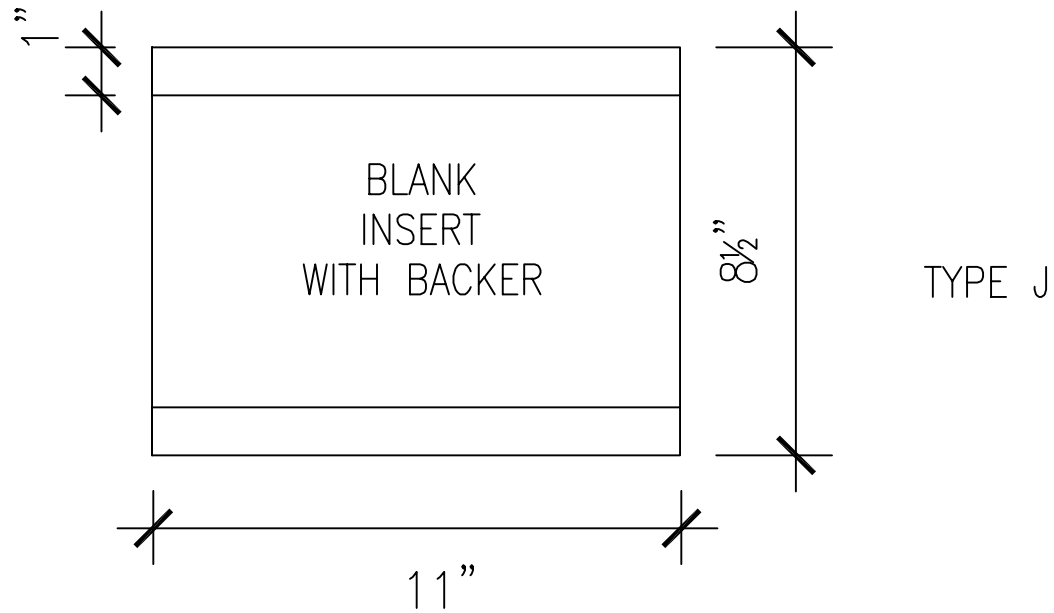


TYPE H

NOTE: SIGNAGE COMPANY IS RESPONSIBLE FOR MEETING ALL ADA REQUIREMENTS

LAMINATE FACE: LAMINART METAL-ART, 621 CLASSIC BRUSHED ALUMINUM
BACKING: ARBORITE, COLOR: W-459 VL
SUMMER ELM, INSTALL: VERTICALLY

INCLUDE BRAILLE
TEXT TO BE IN CONTRASTING COLOR-BLACK
FINISHED EDGES
TEXT TO BE: HELVETICA AND IN CALL CAPS

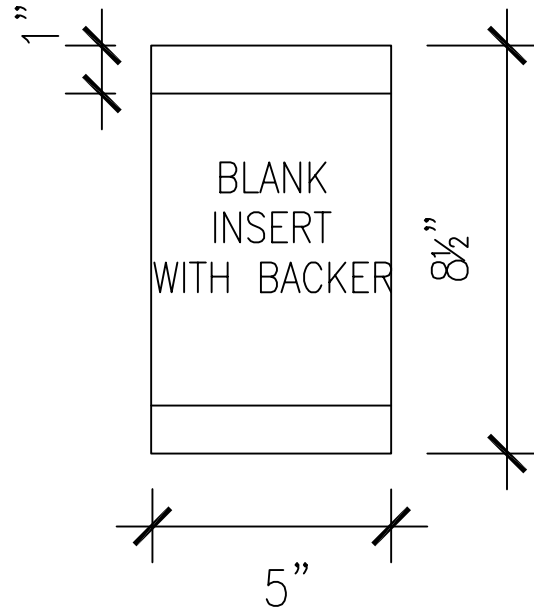


NOTE: SIGNAGE COMPANY IS RESPONSIBLE
FOR MEETING ALL ADA REQUIREMENTS

BRUSHED ALUMINUM FRAMING WITH
INSERT

INCLUDE BACKER

INCLUDE THUMB TAB FOR INSERT



NOTE: SIGNAGE COMPANY IS RESPONSIBLE
FOR MEETING ALL ADA REQUIREMENTS

BRUSHED ALUMINUM FRAMING WITH
PAPER INSERT

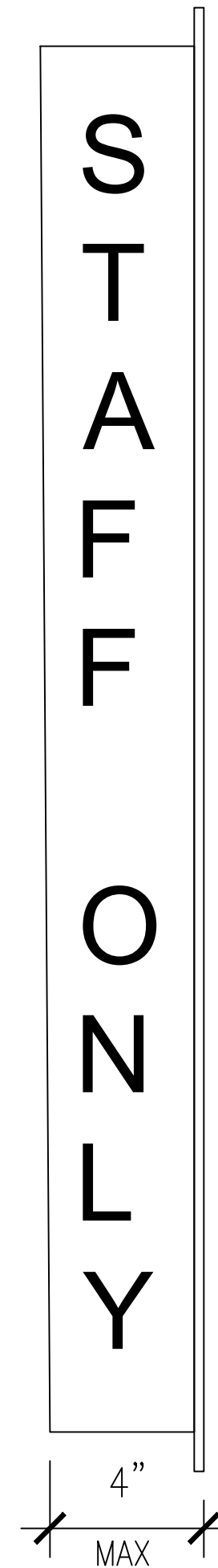
INCLUDE BACKER

INCLUDE THUMB TAB FOR INSERT

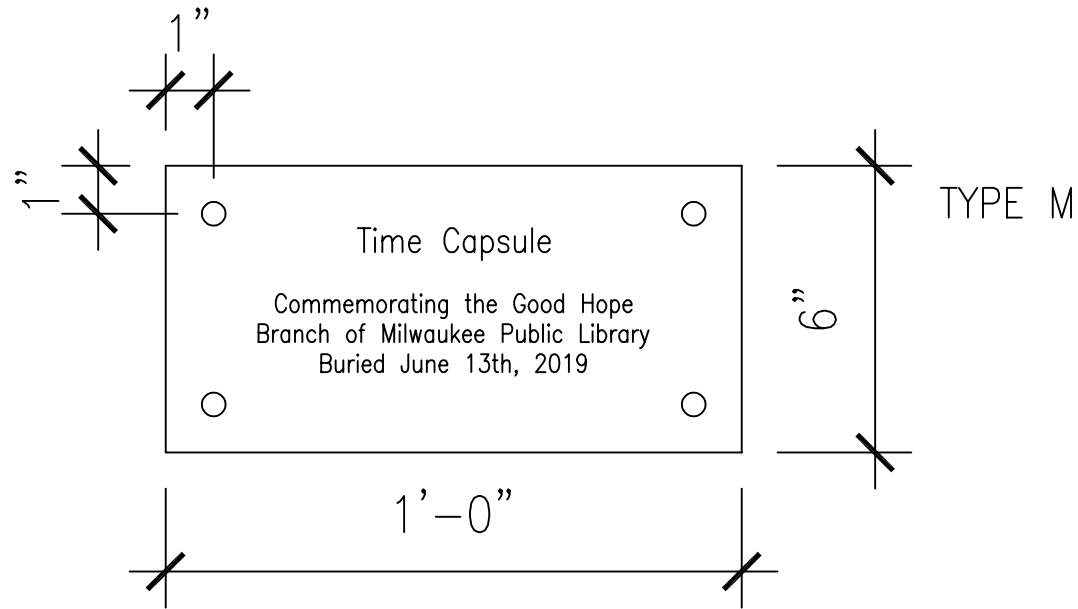
NOTE: SIGNAGE COMPANY IS RESPONSIBLE
FOR MEETING ALL ADA REQUIREMENTS

MOUNTED PERPENDICULAR TO WALL
CLEAR PLEXIGLASS SIGN WITH
DARK GREY TEXT

TEXT TO BE HELVETICA, ALL CAPS
SUBMIT COLORS



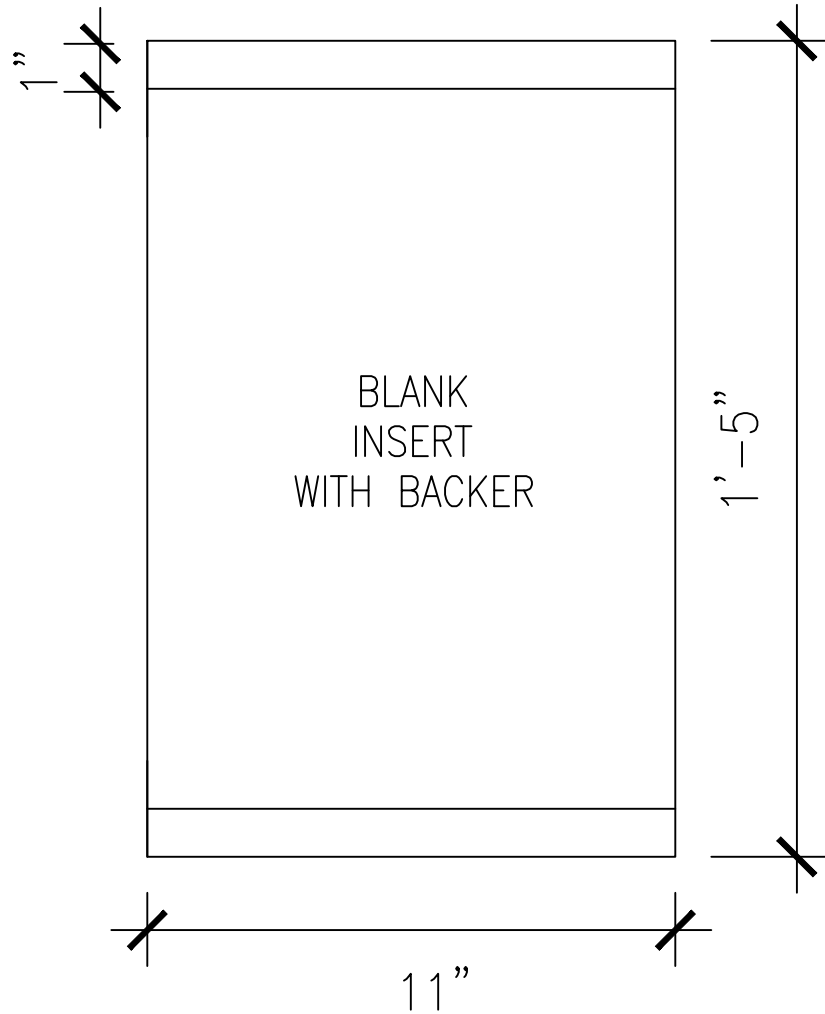
TYPE K



NOTE: SIGNAGE COMPANY IS RESPONSIBLE FOR MEETING ALL ADA REQUIREMENTS

PRINTED ON FROSTED GLASS, $\frac{1}{4}$ " THICKNESS
 $\frac{1}{2}$ " METAL STANCHION STANDOFFS

TEXT TO BE HELVETICA AND IN ALL CAPS



TYPE N

NOTE: SIGNAGE COMPANY IS RESPONSIBLE
FOR MEETING ALL ADA REQUIREMENTS

ETCHED GLASS, $\frac{1}{4}$ " THICKNESS
 $\frac{1}{2}$ " METAL STANCHION STANDOFFS

TEXT TO BE HELVETICA AND IN ALL CAPS

INCLUDE THUMB TAB FOR INSERT